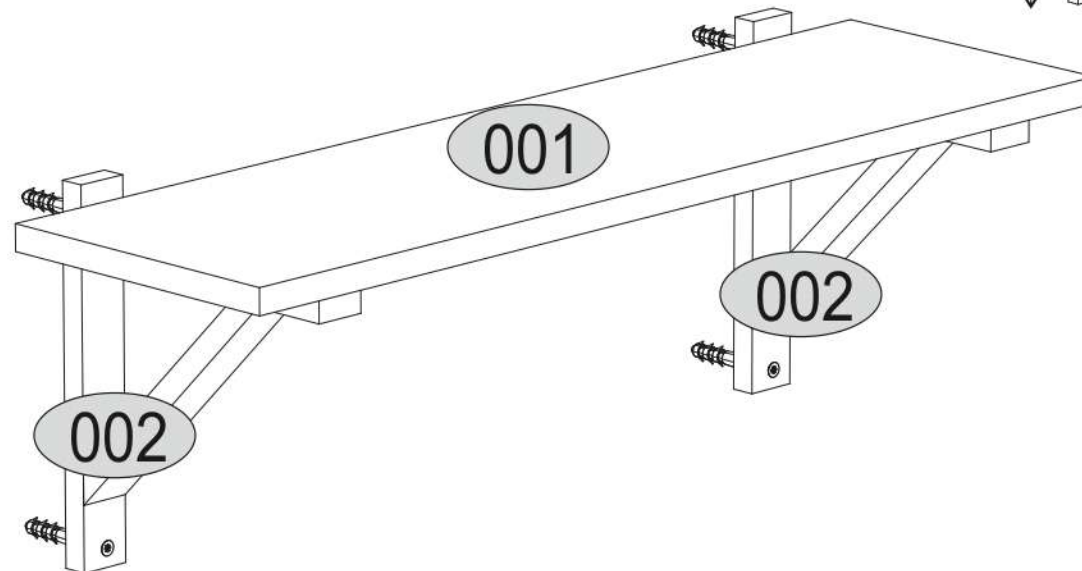
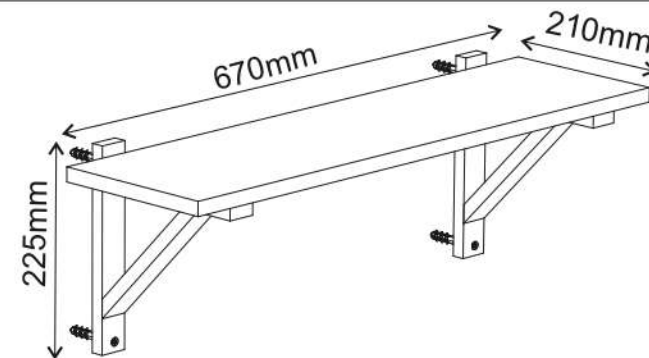
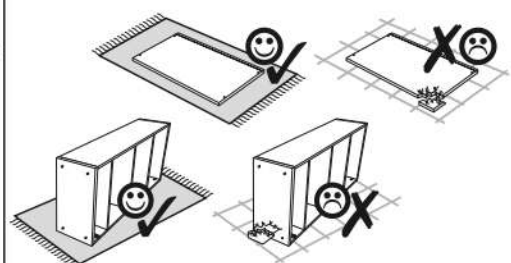
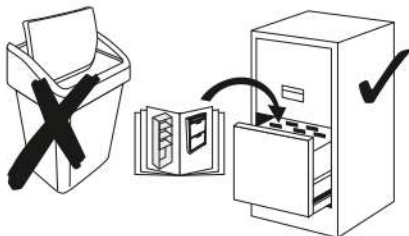
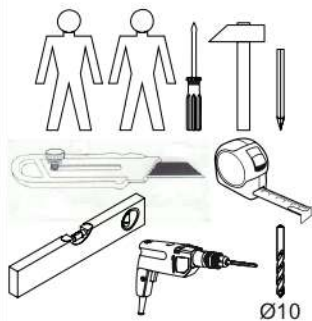








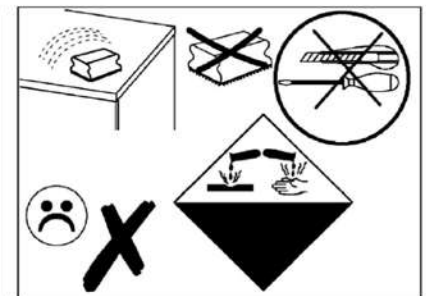
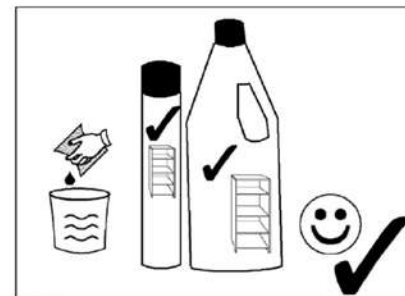
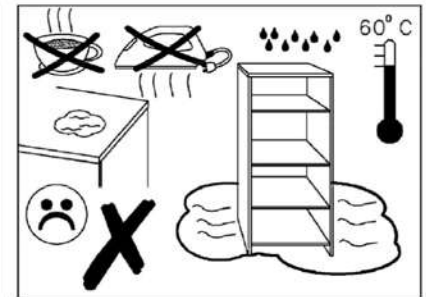
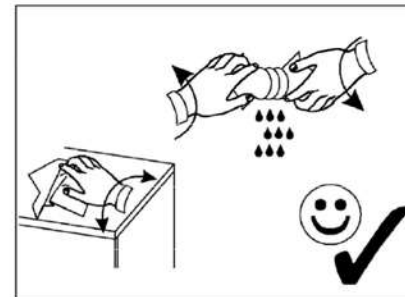
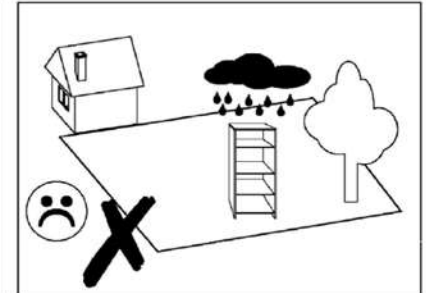
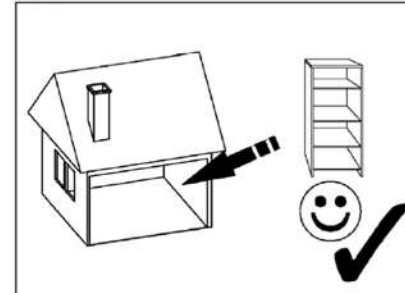
NEPU 65



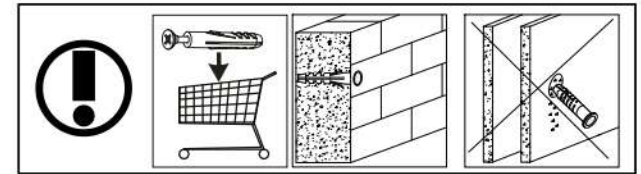
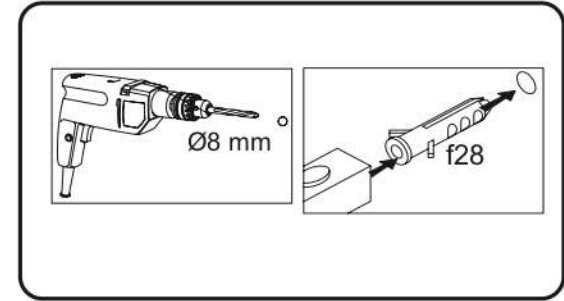
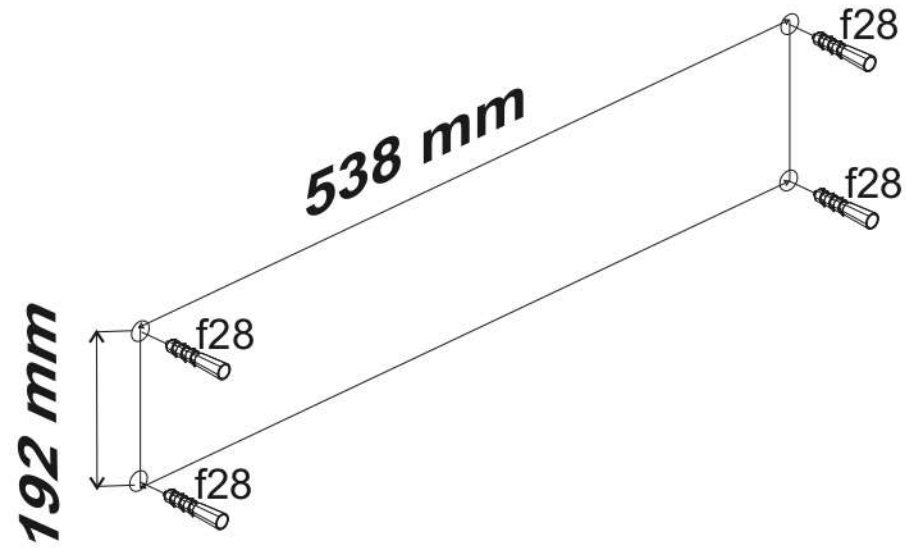
COD	DIMENSIUNE				PACHET
001	670	195	16	1	1/1
002	225	205	32	2	1/1
ACCESORII				1	1/1



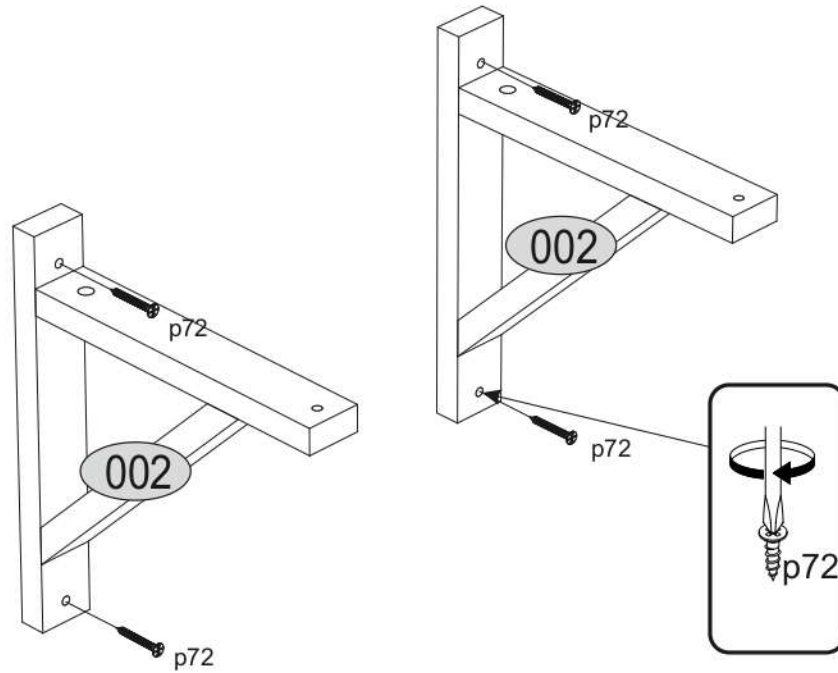
<p>x4 p72 Ø4x40mm</p> 	<p>x4 f28 Ø8x40mm</p> 	<p>x2 f13 Ø8x20mm</p> 	<p>x2 p21 Ø4x30mm</p> 
---	---	---	---



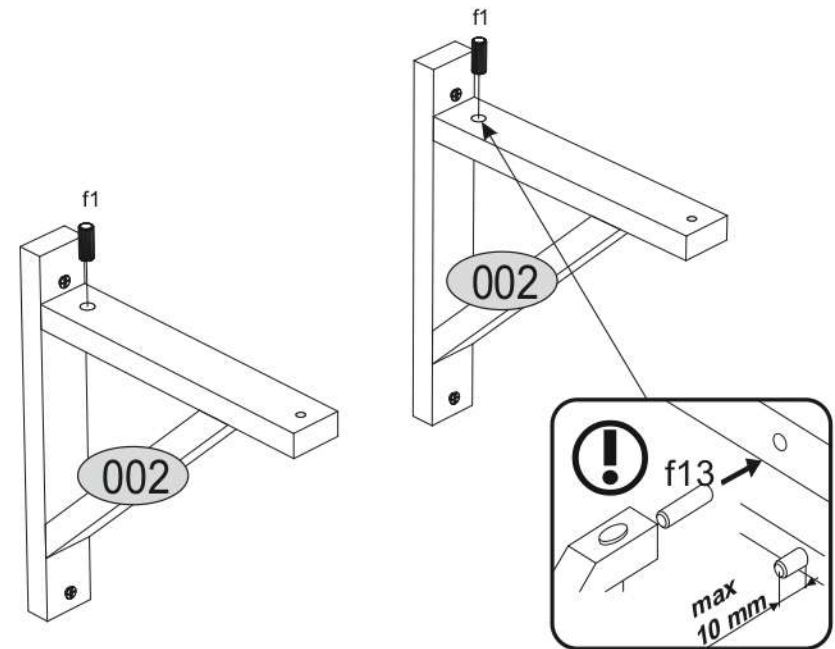
1



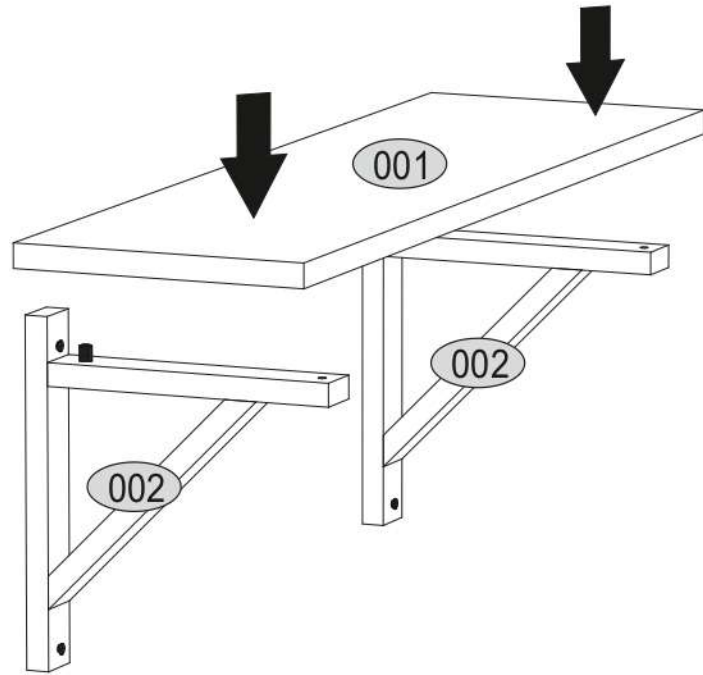
2



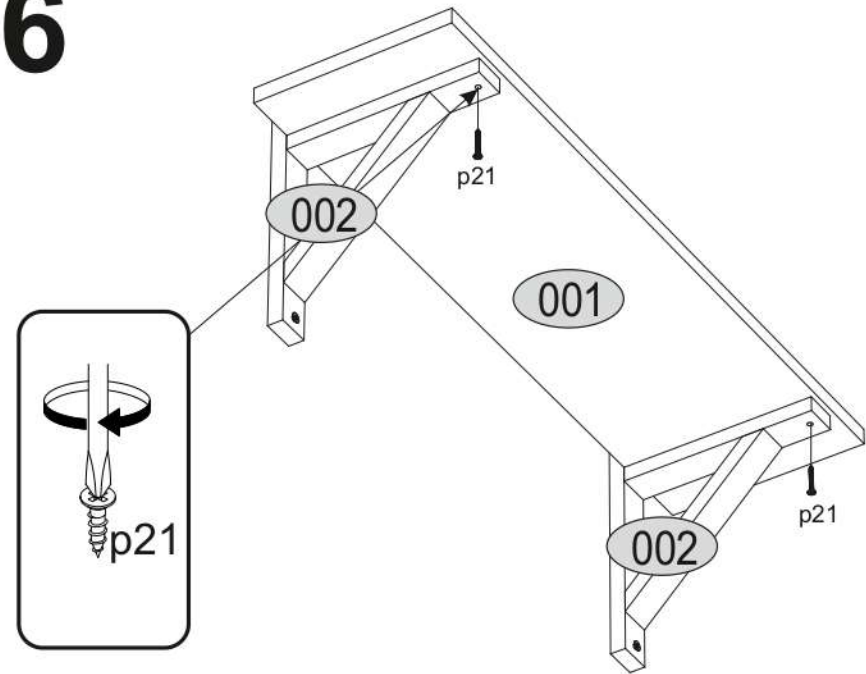
3



5



6



7

